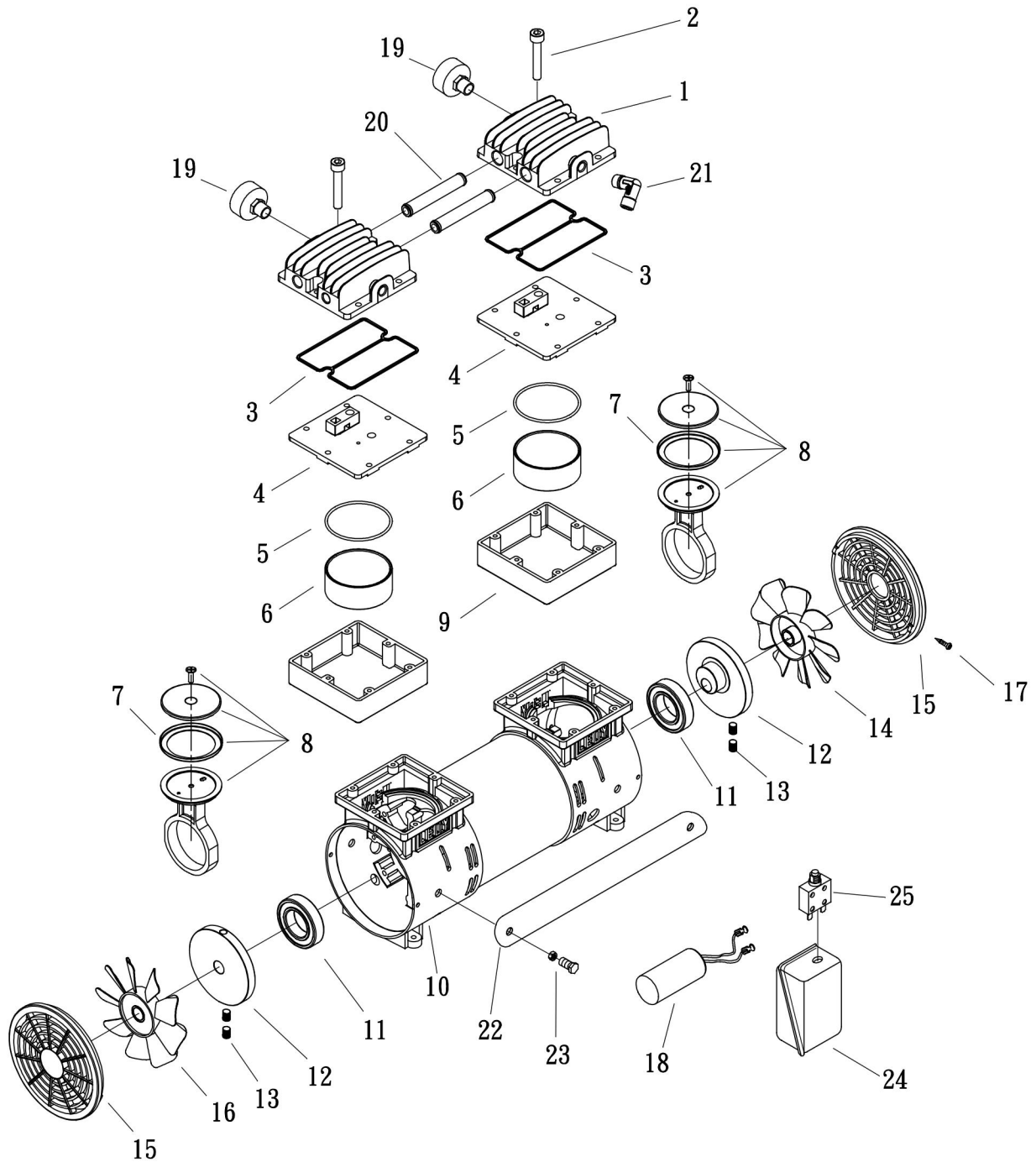


MODEL :WE-1508VP (Pump)

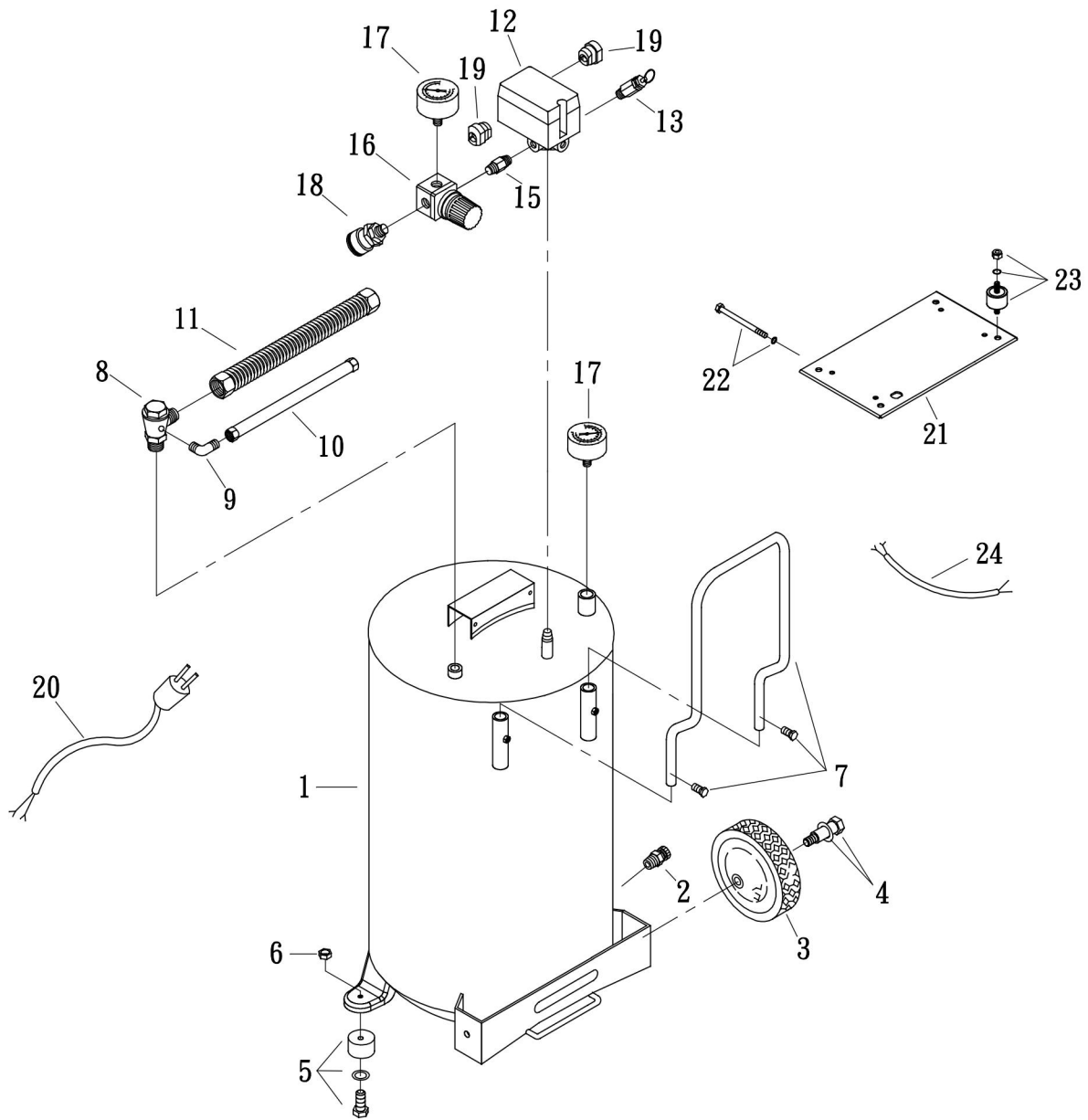


SPARE PARTS LIST

NO : MP-1910

REF. NO.	DESCRIPTION	PART NO.	QTY.	REF. NO.	DESCRIPTION	PART NO.	QTY.
1	Cylinder head	3101-WE11	2	14	Cooling fan(L)	2336-WE11L	1
2	Hexagon socket set bolt	2B00-M06*065	12	15	Front cover	3309-WE11	2
3	Cylinder head seal	2G01-WE11	2	16	Cooling fan(R)	2336-WE11R	1
4	In. & Ex. valve assembly	3B13-WE11	2	17	Plug	2B17-FW01*03B	4
5	Valve seat seal	2G03-WE11	2	18	Running capacitor	2E27-100F2545	1
6	Cylinder	3201-WE11	2	19	Air filter	2140-OTS04	2
7	Piston ring plate	2214-WE06	2	20	Nipple	2N01-WE11	2
8	Piston rod set	3B3-WE11	2	21	Exhaust elbow	2N06-04T04H	1
9	Cylinder support	3201H-WE11	2	22	Capacitor seat	3417025	1
10	Motor set	3B8-WE1100	1	23	Hexagon bolt set	3B00-FM10*016V	2
11	Bearing	2N35-WE11ROD	2	24	Capacitor box	2E23-216	1
12	Crankshaft & balancer	3304-WE11	1	25	Thermal protector	2E25-15A	1
13	Set screw	2B07-SM08*16	4				

MODEL :WE-1508VP(Receive Tank)



SPARE PARTS LIST

NO : MP-1910

REF. NO.	DESCRIPTION	PART NO.	QTY.	REF. NO.	DESCRIPTION	PART NO.	QTY.
1	Air tank	3401X034A	1	13	Pressure relief valve	2406018A	1
2	Ball valve	2405012	1	14	Plug	2B14-ST02E	1
3	Tank wheel bolt set	3418001-R	2	15	Nipple	2N01-02N02N050	1
4	Tank wheel	2402054	2	16	Regulator	2408008LNX	1
5	Rubber pad set	3433013-A	2	17	Pressure gauge	2D12-15D15KS	2
6	Hexagon head nut	2B20-FM08	2	18	Quick coupler	07MS01/4M-B	1
7	Grip set	3432081A-A	1	19	Strain relief bushing	2E04-010	4
8	Check valve	2414025T	1	20	Power cable	2E01-012	1
9	Unloading elbow	2N06-01T02H	1	21	Base	3403173	1
10	Unloading tube set	3B2-02*280F	1	22	Hexagon bolt set	3B01-M06*075V	2
11	Exhaust tube set	2T02-04*0440	1	23	Vibration isolator set	3439042-A	4
12	Pressure switch	2E21-AA276AP	1	24	Cable	2E02-2030502Y1B	1